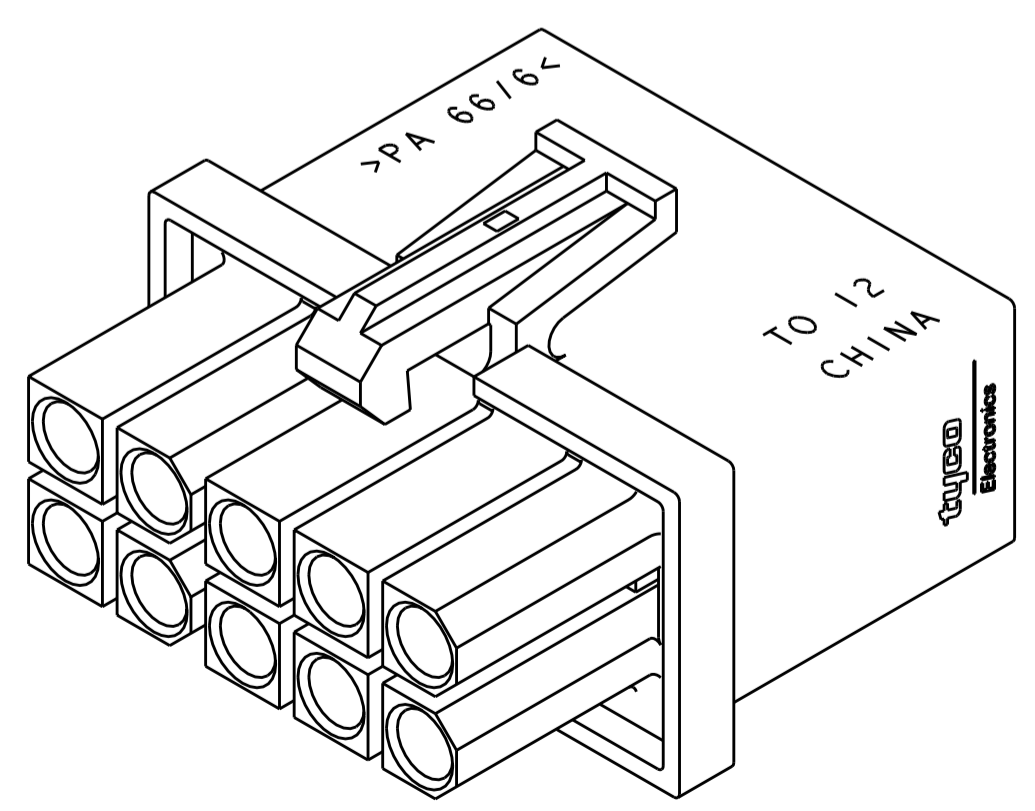
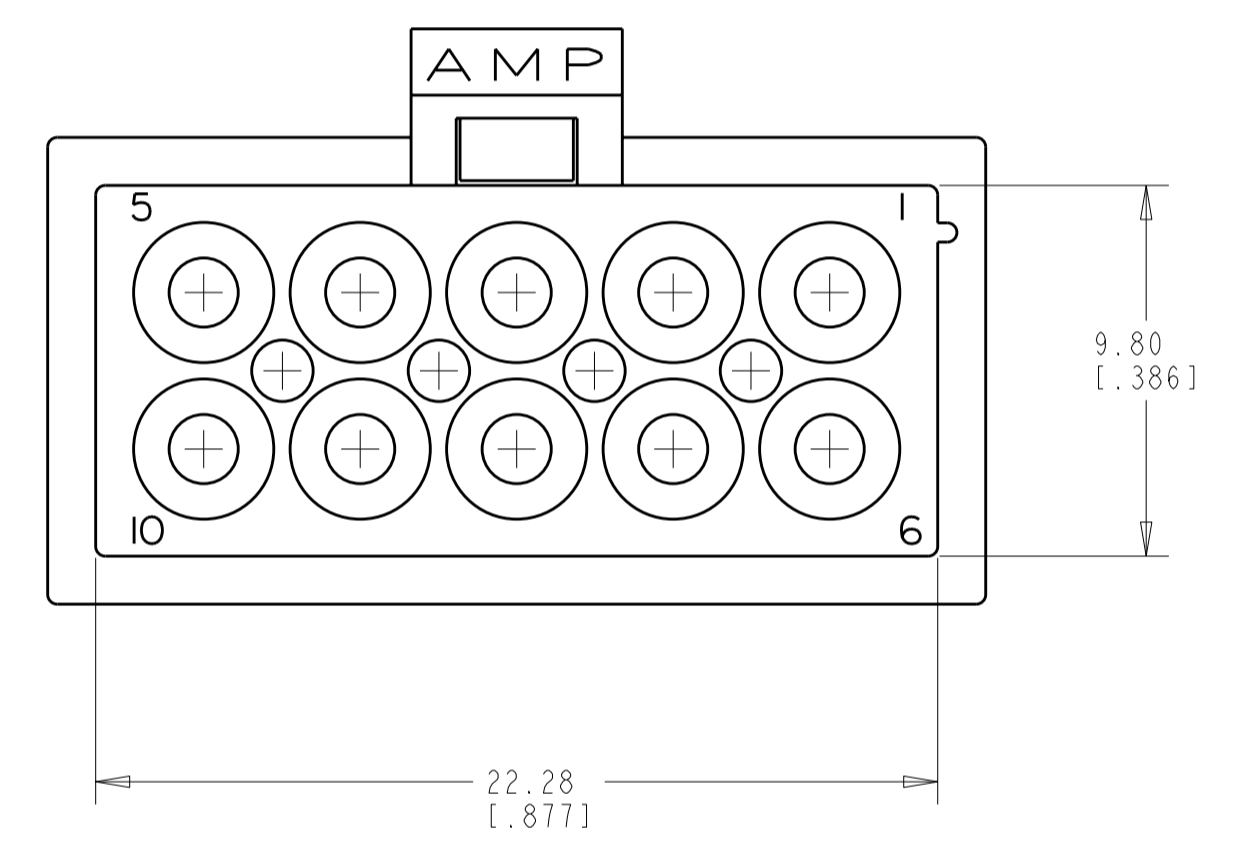
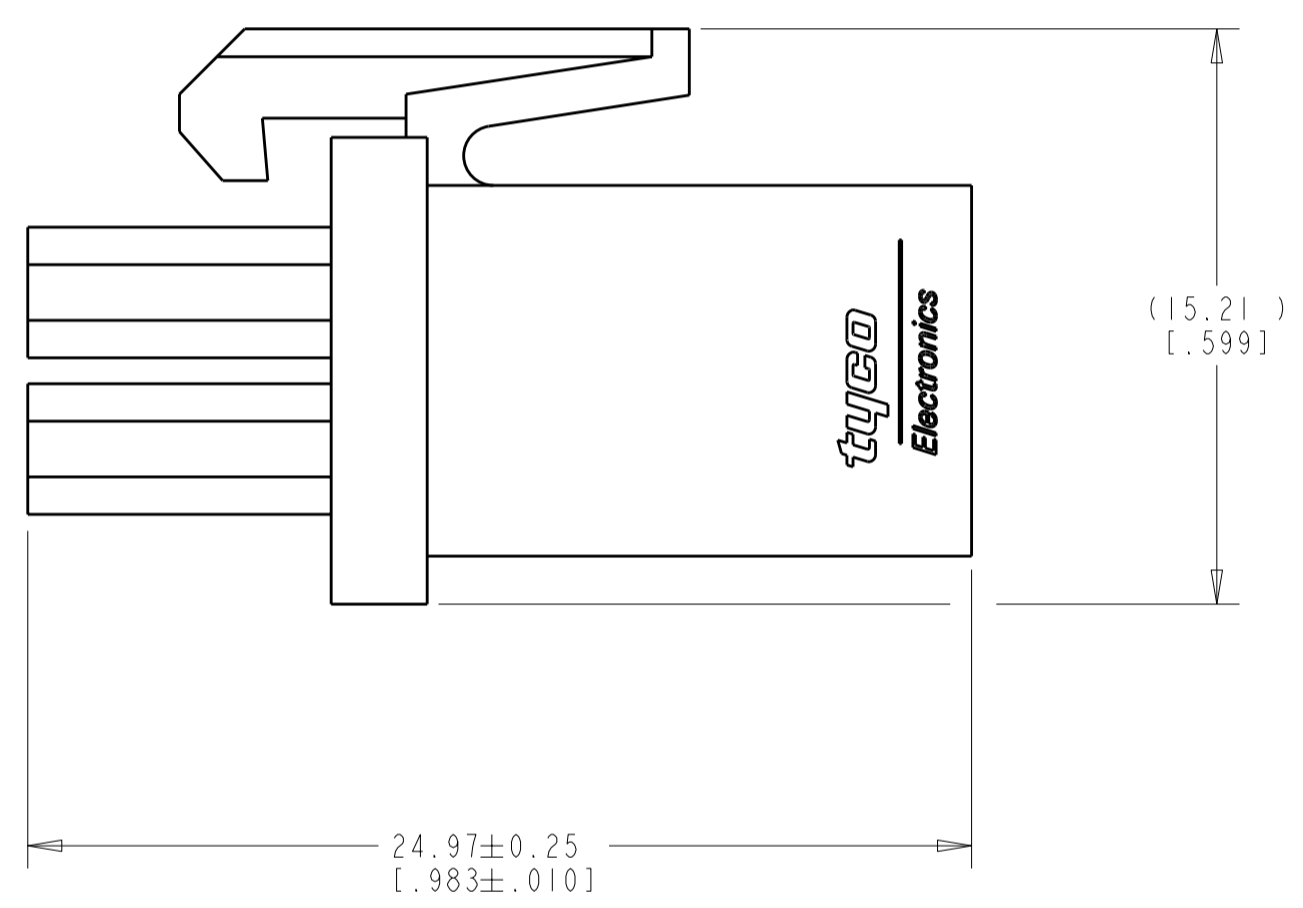
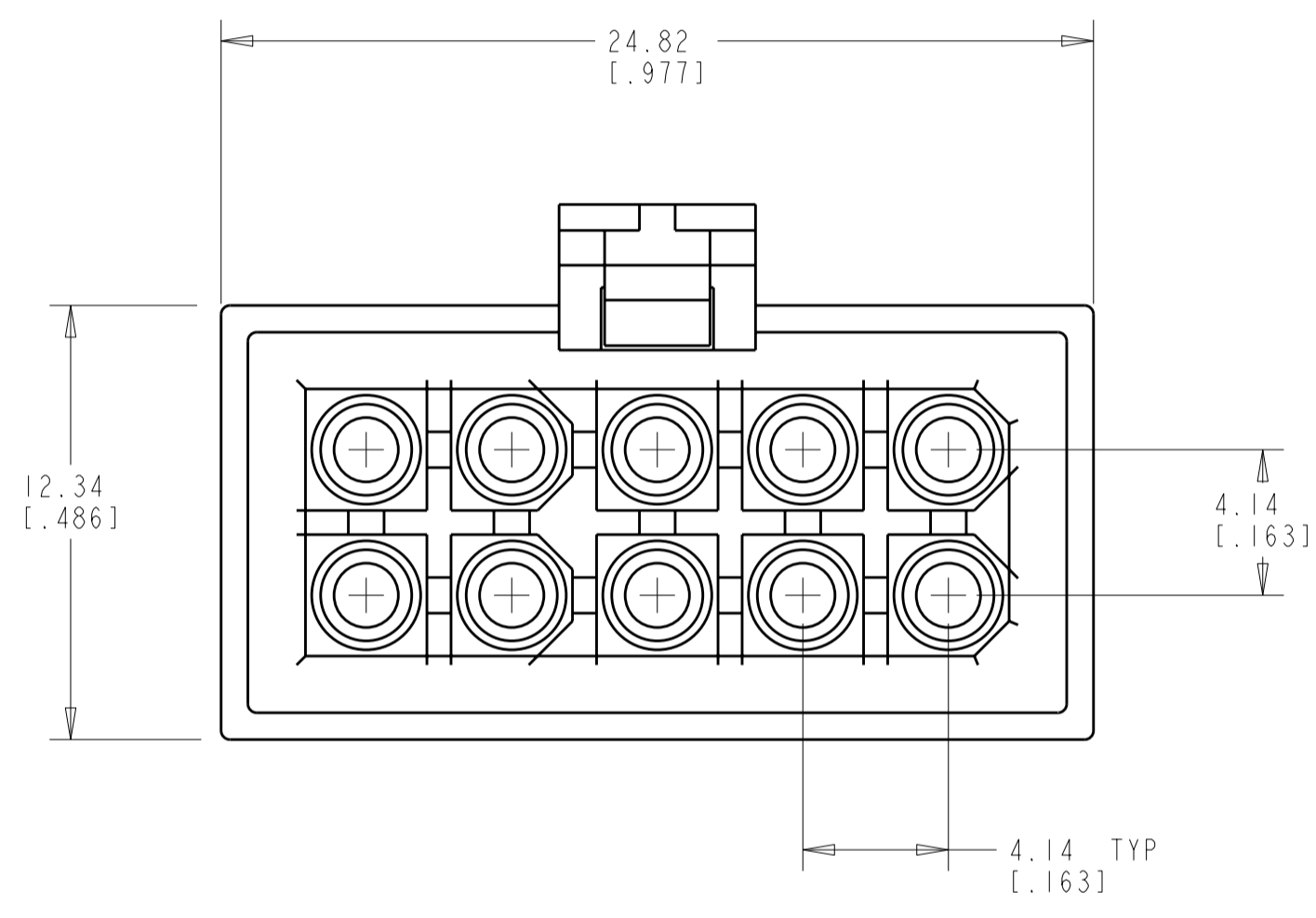


THIS DRAWING IS UNPUBLISHED. RELEASED FOR PUBLICATION 20
 © COPYRIGHT 20 BY TYCO ELECTRONICS CORPORATION. ALL RIGHTS RESERVED.

LOC	DIST	REVISIONS			
P	LTR	DESCRIPTION	DATE	DWN	APVD
CM	00				
	A	REVISED PER 063B-0251-04	22JUNE04	KW	DC
	B	REVISED PER ECO-05-014359	21APR06	KW	CJ

1. DIMENSIONS IN BRACKETS ARE IN INCHES.



3 DIMENSIONAL MODEL
SCALE 4:1

METRIC

<small>THIS DRAWING IS A CONTROLLED DOCUMENT FOR TYCO ELECTRONICS CORPORATION. IT IS SUBJECT TO CHANGE AND THE CONTROLLING ENGINEERING ORGANIZATION SHOULD BE CONTACTED FOR THE LATEST REVISION.</small>		DWN K. WHITAKER	10MAY2000	AMP Tyco Electronics Harrisburg, PA 17105-3608
DIMENSIONS: mm [INCHES]		CHK K. COBLE	10MAY2000	
		APVD K. COBLE	10MAY2000	
TOLERANCES UNLESS OTHERWISE SPECIFIED: 0 PLC ±- 1 PLC ±- 2 PLC ±013 [.005] 3 PLC ±- 4 PLC ±- ANGLES ±0° 30'		PRODUCT SPEC		
MATERIAL NYLON, UL94V-0, WHITE		APPLICATION SPEC		NAME PLUG, 10 CIRCUIT, MINI UNIVERSAL MATE-N-LOK(TM)
WEIGHT -		RESTRICTED TO		SIZE A2
CUSTOMER DRAWING		SCALE 5:1	SHEET 1 OF 1	DRAWING NO C-794781

794781

794781-1
PART NUMBER